

CATALOG



HANDICAPPED

With largest diverse products
and handicap solutions



WWW.ABRONN.COM

HANDICAPPED SOLUTIONS

HOSPITAL BEDS



ELECTRIC 5-FUNCTION



ELECTRIC 3-FUNCTION



PEDIATRIC

WHEELCHAIRS

ELECTRIC



CHILD



ADULT



CHAIR CRUTCH



WALKER



CRUTCHES



FOLDABLE
COMMODORE



BATH CHAIR



FOOT STEP
SINGLE

EVACUATION STAIR CHAIR



ELECTRIC



NORMAL

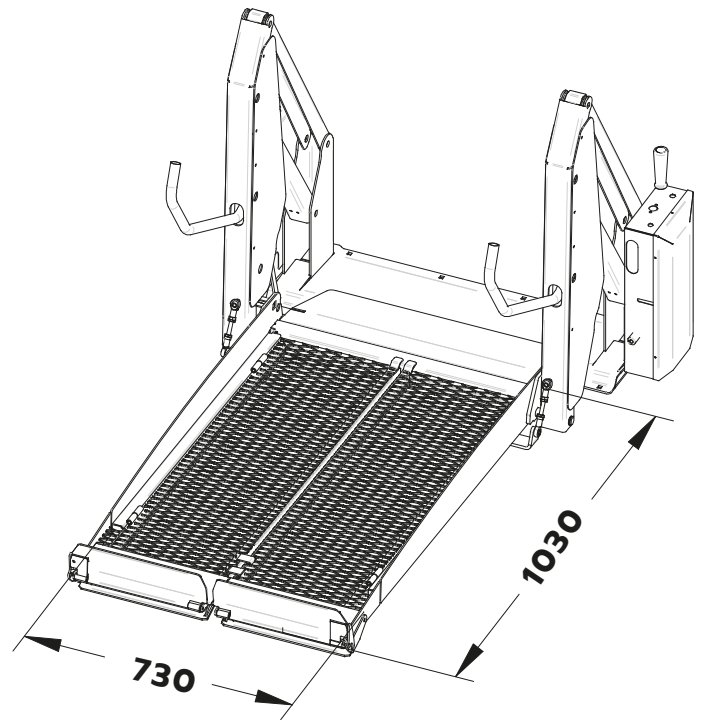


WHEELCHAIR LIFT



TECHNICAL FEATURES

MAXIMUM CAPACITY	320 Kg
WEIGHT	110 Kg
POWER	12 V – 24 V
MAX PRESSURE	140 Bar
LIFTING HEIGHT	920 mm.
SPEED UP (FULL CHARGE)	5 M/MIN
SPEED DOWN (FULL CHARGE)	4 M/MIN



- Manual operation in case of emergency
- Automatic safety ramp to stop the wheelchair
- Roll-over control device with pressure switch

SWIVEL SEAT WHEELCHAIR



ELECTRONIC PUSH AND PULL



REAR STEP



ELECTRIC



ELECTRONIC LEFT FOOT ACCELERATOR

NORMAL